

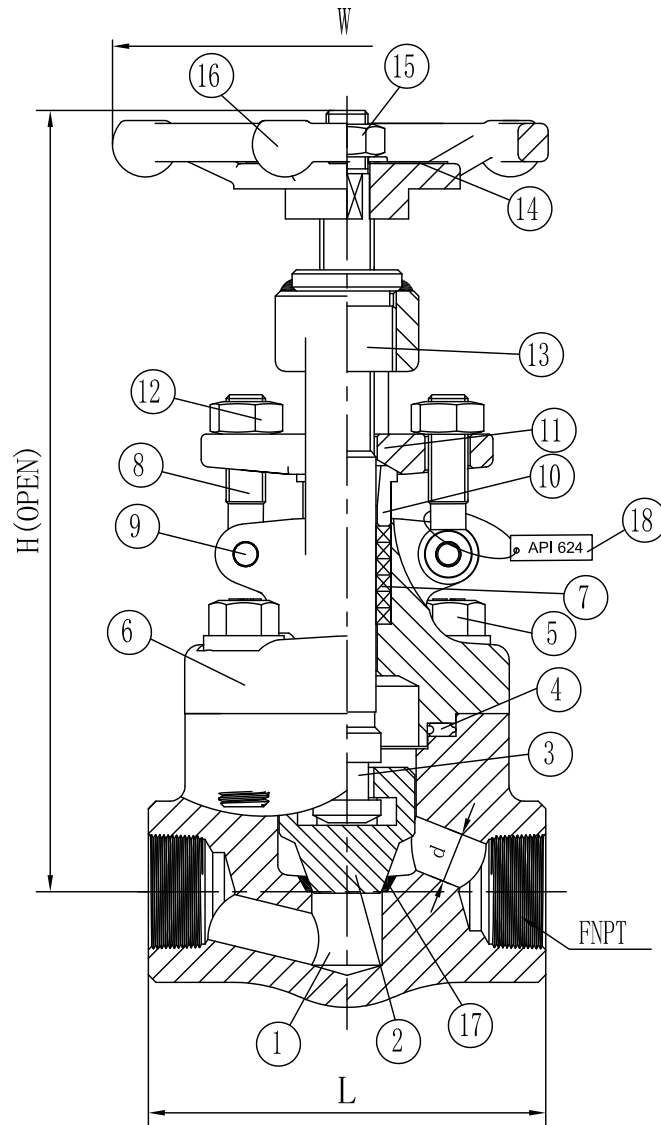
BODY MARK
Front:1/4"-2"-800LB
A105N
Back:WARREN

TEST PRESSURE:
Test inspection Per API 598
Shell(by Water):2975 Psig
Backseat(by Water):2175 Psig
High-Pressure Closure(by Water):2175 Psig

APPLICABLE STANDARDS
BASIC DESIGN: API 602&ASME B16.34
SCREWED ENDS DIMENSION : ASME B1.20.1
TEST AND INSPECTION : API 598
NACE MR-0175/NACE MR-0103
FUGITIVE EMISSIONS : API 624 CERTIFIED

Fig No.:WARREN-852-8-T-624

MATERIALS LIST



NO.	NAME PARTS	MATERIALS
1	BODY	ASTM A105N
2	DISC	ASTM A182 F6a
3	STEM	ASTM A276 410
4	GASKET	304+GRAPHITE
5	BONNET BOLT	ASTM A193 B7M
6	BONNET	ASTM A105N
7	PACKING	Flexible Graphite With Inconel Wire (CHESTERTON 1622)
8	GLAND BOLT	ASTM A193 B8
9	GLAND BOLT PIN	ASTM A276 304
10	GLAND	ASTM A276 420
11	GLAND FLANGE	ASTM A105N
12	NUT	ASTM A194 8
13	STEM NUT	ASTM A276 410
14	NAMEPLATE	304 SS
15	HAND WHEEL NUT	ASTM A194 2H
16	HAND WHEEL	ASTM A197
17	INTEGRAL SEAT	ASTM A105N+STL
18	METAL TAG	304 SS

SIZE	Dimension Unit: inch					WGT (LB)	Torque (IN-LB)	CV
	L±0.06	d ^{+0.04} _{-0.02}	FNPT	H±0.20	W±0.20			
1/4"	3.11	Ø0.27	1/4"	6.34	3.94	4.9	345.1	0.7
3/8"	3.11	Ø0.27	3/8"	6.34	3.94	4.9	345.1	0.7
1/2"	3.11	Ø0.37	1/2"	6.34	3.94	4.6	345.1	1.2
3/4"	3.62	Ø0.49	3/4"	6.34	3.94	5.1	345.1	2.7
1"	4.37	Ø0.69	1"	7.60	4.72	8.2	437.2	5.3
1¼"	4.72	Ø0.93	1¼"	9.06	6.30	12.8	517.7	11.0
1½"	5.98	Ø1.12	1½"	9.76	6.30	16.5	621.2	17.6
2"	6.77	Ø1.44	2"	11.10	8.66	22.5	943.4	23.0



	APPROVED BY.	CHECK BY.	DRAWN BY.	DRAWINGNO.	MATERIAL	UNIT	DESCRIPTION	
SIGN	Zhang	Zhou	Chen	WARREN-852-8-T-624	MATERIALS LIST	inch	RXWA	GLOBE VALVE,800LB, FNPT,A105N,TRIM 8#,NACE
DATE	04/09/2021	04/09/2021	04/09/2021	REVISION	01	SCALE	FREE	